

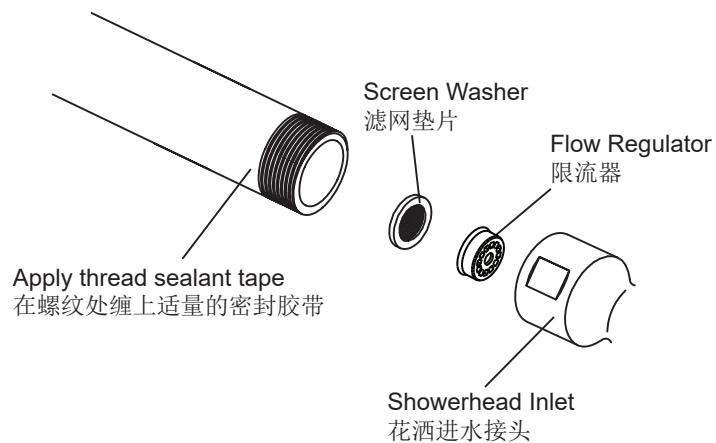
Place the flow regulator & screen washer into the showerhead inlet according to the drawing.

将限流器和滤网垫片依次装入花洒进水接头处(如上图所示)。

Flow regulator should be installed if water pressure exceeds 3bar.

当水压超过3bar时，花洒必须安装限流器。

1132160-T6-B



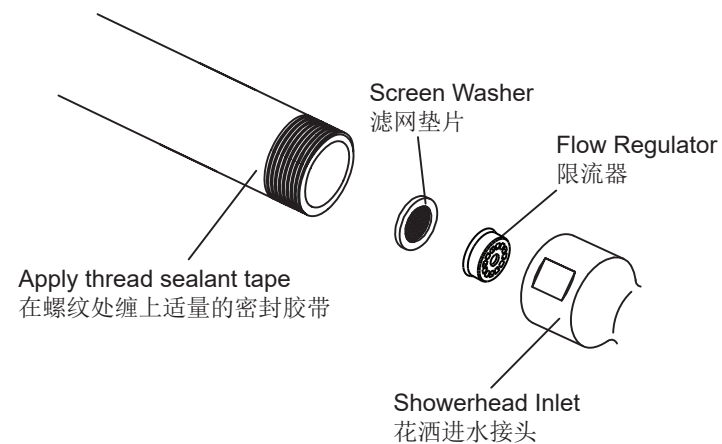
Place the flow regulator & screen washer into the showerhead inlet according to the drawing.

将限流器和滤网垫片依次装入花洒进水接头处(如上图所示)。

Flow regulator should be installed if water pressure exceeds 3bar.

当水压超过3bar时，花洒必须安装限流器。

1132160-T6-B



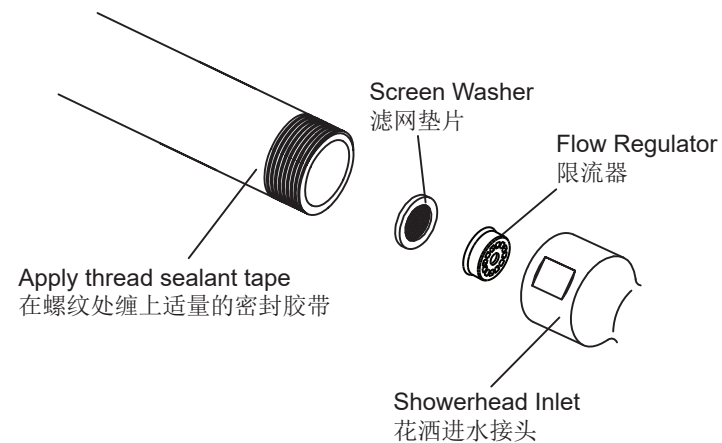
Place the flow regulator & screen washer into the showerhead inlet according to the drawing.

将限流器和滤网垫片依次装入花洒进水接头处(如上图所示)。

Flow regulator should be installed if water pressure exceeds 3bar.

当水压超过3bar时，花洒必须安装限流器。

1132160-T6-B



Place the flow regulator & screen washer into the showerhead inlet according to the drawing.

将限流器和滤网垫片依次装入花洒进水接头处(如上图所示)。

Flow regulator should be installed if water pressure exceeds 3bar.

当水压超过3bar时，花洒必须安装限流器。

1132160-T6-B